

VACMAGIC™ VM100

Like the VM300, the VM100 was designed to be more than just a vacuum system:

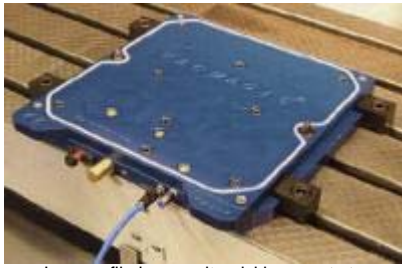
- Originally designed for grinding non-ferrous materials on a magnetic chuck
- Use as a pallet changer - Blank pallets available (PN-45325)
- Clamp in a vise reducing set-up time
- Mount to grid plate or T-slot table with clamps provided
- Operates from 70-100 PSI shop air, eliminating vacuum pumps and coolant traps
- Will accept the standard VM300 Vacuum pallet (PN-45150), increasing your vacuum platform to over 360mm x 315mm
- Make your own vacuum fixtures - we can help with the design or produce it for your custom application
- Remove 12 mm pins for grinding/machining thin material, use set screws to locate and aid in holding force
- Includes everything necessary to get your VM 100 running within minutes of opening the box (excludes regulator)

Customer Satisfaction is Very Important to Us.
 Contact us anytime for application assistance: miteebite@miteebite.com

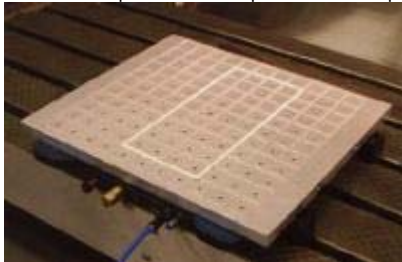
| Item No. | Description | Height | Width | Length |
|----------|--|--------|-------|--------|
| 45375 | Base unit with mounting clamps | 25mm | 140mm | 315mm |
| 45325 | Blank pallet | 25mm | 150mm | 318mm |
| 45110 | 5' of gasket | | | |
| 45300 | Complete system, including base unit and 2 blank pallets | | | |



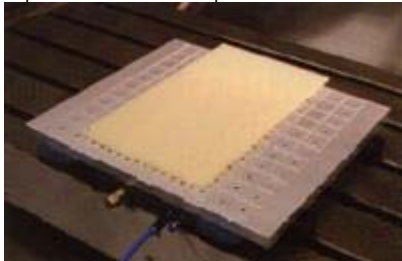
VACMAGIC



Low profile base unit quickly mounts to machine table. Operates with 70 psi standard shop air.



Vacuum pallet with rubber cord positioned for thin workpiece.



Workpiece placed over rubber cord and pushed down to create a vacuum. Now ready for machining.

ADVANTAGES OF VACMAGIC VM300

- **Quick Change** - swap pallets in 30 seconds or less
- **Productivity Maximized** - load pallets while machining
- **Easy to Install** and set up
- **Precise Repeatability** of .0005" (.013mm)
- **Reliable and easy to use** - virtually maintenance free
- **Flexible pallet design** - limited only by your imagination
- **No pumps** - use standard shop air
- Use standard shop air

"Using a 2" (50mm) diameter face mill, we cut 6061 aluminum at 0.118" (3mm) deep, with a feed rate of 250"/min. (6.4 meters/min) with no sign of vibration or instability"

Tech Report on file

"We had a job that required profiling and cutting through half-inch highly engineered polymer plates. We cut our own seal design into a pallet and machined the run without a single reject. When finished, we simply resurfaced the pallet for the next job. With Vacmagic we make our own custom vacuum holders quickly, easily, and to super-tight specs. Invaluable!"

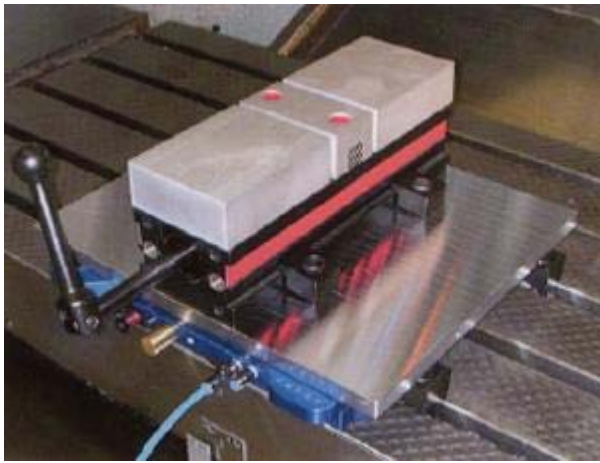
Customer name withheld. Manufacturer of printing system

"Our Vacmagic holds motorcycle cylinder heads, disc breaks, chucks, vices, and numerous other parts. The change-over from having an 8" chuck mounted on the machine to having a cylinder head is about 30 seconds - before Vacmagic, this would have taken an hour! Another real benefit is the ability to break into a long production run to fit in a rush job - knowing the only time lost is the 30 second change-over. Our stock of pallets with ready-mounted jigs is growing. daily."

R. Allen, Motalia Limited



Example of standard pallet machined into a fixture plate for increased production.



Vise mounted on standard pallet for quick change from production to prototype.

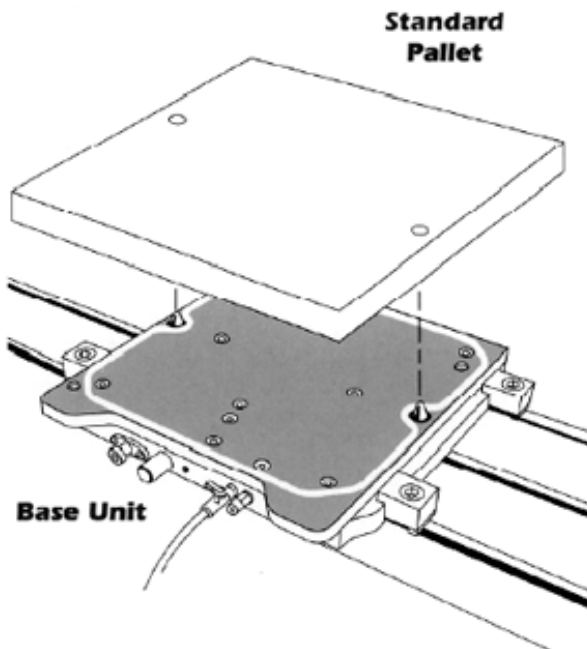


The small tube is connected to a low pressure safety switch to disable machine if air pressure is too low.



"We cut our setup time by 80%, reduced cycle times - including load/unload - by 50%. Fantastic! It paid for itself in one pay period."

Martin Fuller, CNC Engineer, Respirix International:



Tech Data

Air Supply Requirements 70 psi (5 bar)
2 SCFM (55 SLPM)
Low Pressure Safety Switch...Included
Vacuum Indicator.....Included
Hardened Locator Pins.....Included

| | |
|--------------------|----------------------|
| Base Unit..... | 1.375" (35mm) height |
| | 12.75" (323mm) width |
| | 13.0" (330mm) depth |
| Blank Pallet..... | 0.750" (19mm) height |
| | 14.2" (360mm) width |
| | 12.4" (315mm) depth |
| Vacuum Pallet..... | 0.63" (16mm) height |
| | 14.2" (360mm) width |
| | 12.4" (315mm) depth |

| Part No. | Description |
|----------|---|
| 45101 | Complete System w/2 (19mm) blank pallets, 1 vacuum pallet and 4 large mounting clamps |
| 45110 | Vacuum Gasket per 5 ft. length |
| 45130 | Blank 19mm Thick Pallet |
| 45150 | Vacuum Pallet |
| 45175 | Base Unit (Receiver) and 4 large mounting clamps |
| 22815 | Large single mounting clamp |

Watch Vacmagic in action:

- [Video: How to Save Time](#)
- [Video: How to machine multiple components](#)
- [Video: Quick Loading Off Machine](#)
- [Video: Machining on Vacmagic VM300](#)
- [Video: Fixture used as manual pallet loader](#)
- [Video: Machining of Plastic](#)